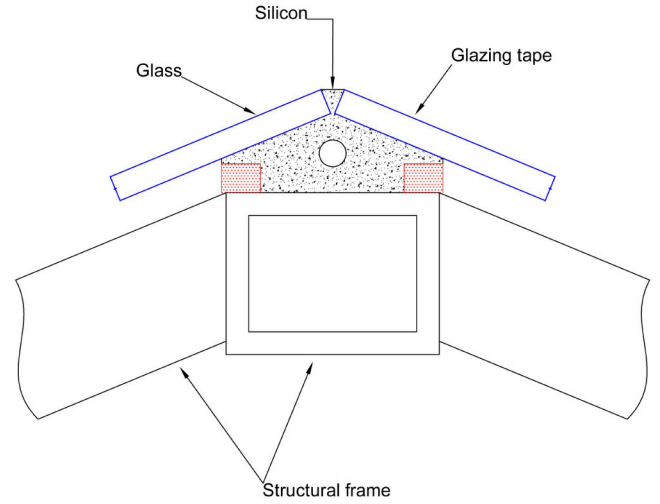
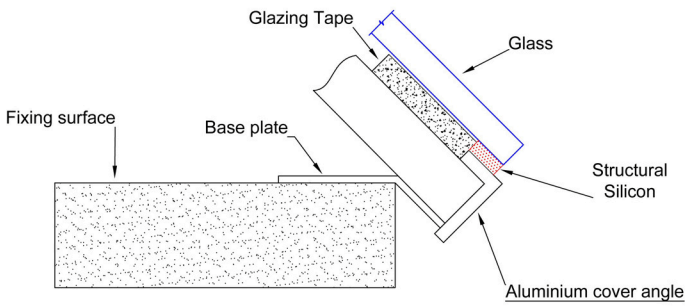


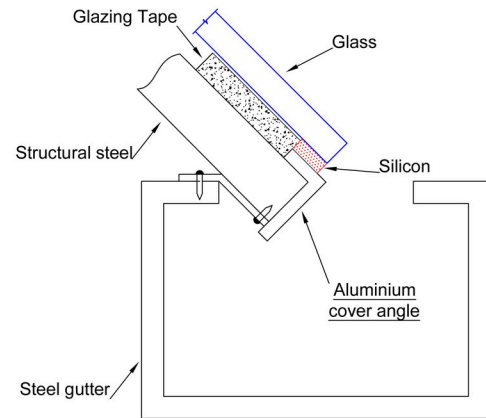
SECTION "G"



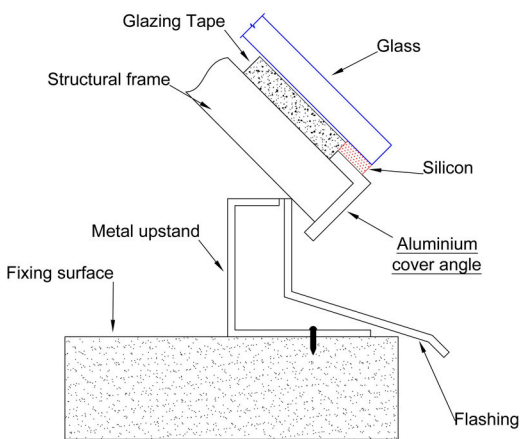
SECTION "H"



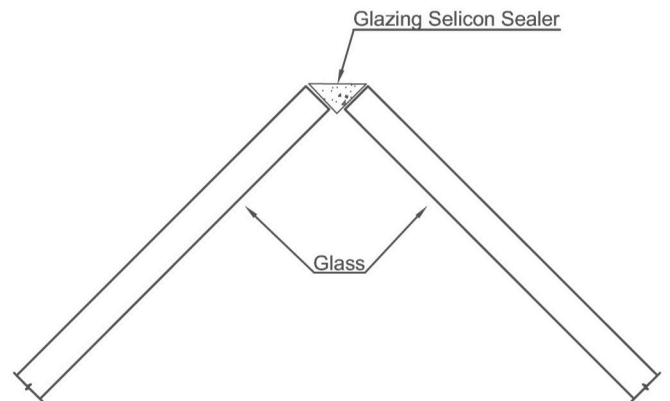
SECTION "C" OPTION 1



SECTION "C" OPTION 3



SECTION "C" OPTION 2



FRAMELESS RIDGE JOINT

DESIGNS AVAILABLE:

