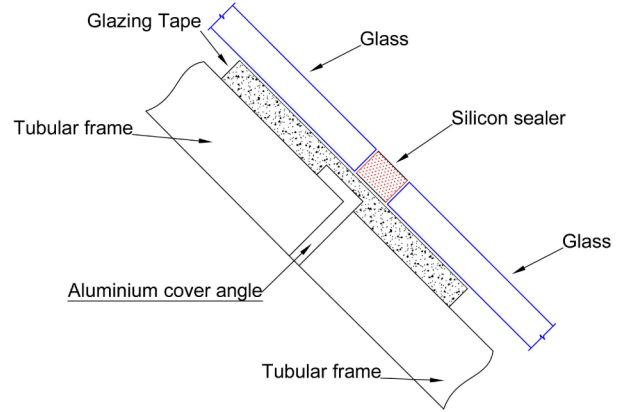
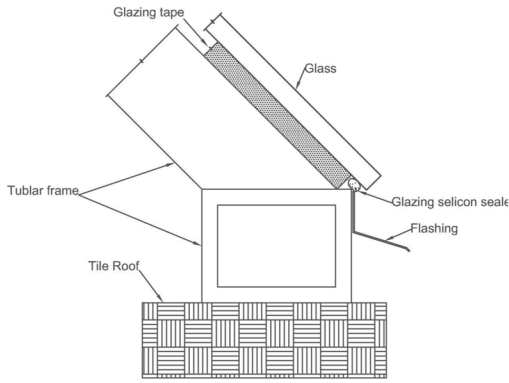


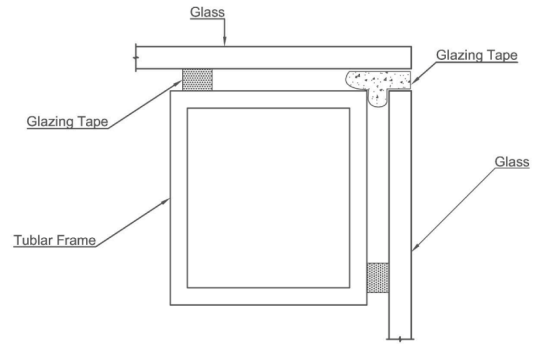
SECTION "A"



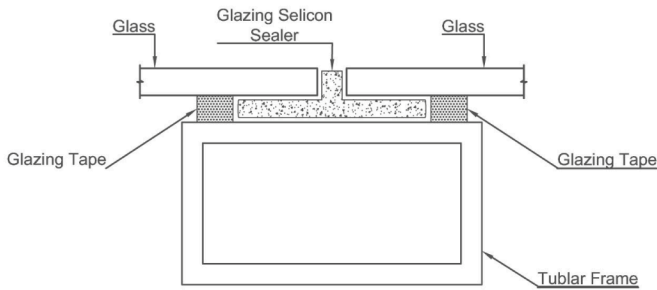
SECTION "B"



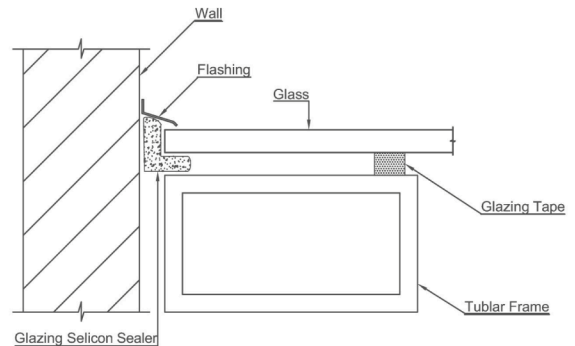
SECTION "C"



SECTION "D"



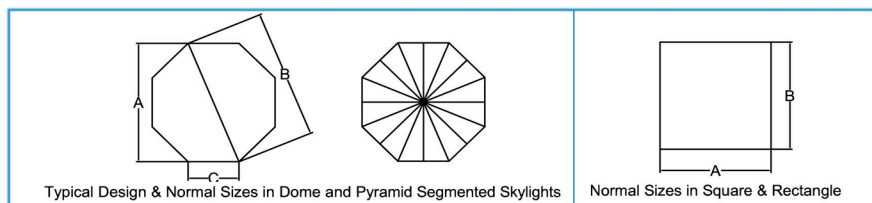
SECTION "E"



SECTION "F"

NOMINAL SIZES IN SQUARE & RECTANGLE:

NOMINAL SIZES IN DOME:



Typical Design & Normal Sizes in Dome and Pyramid Segmented Skylights

Normal Sizes in Square & Rectangle